




SYN 161 d

1610011

theben

Hotline Theben:

 +49 7474 692-369



WARNING

EN

Danger of death through electric shock or fire!

- Installation should only be carried out by professional electrician!
- Disconnect the mains power supply prior to installation and/or disassembly!

General information

- Analogue time switch
- Weekly program
- (1 channel) Shortest switching time 15 min

Technical data

Operating voltage: 230 V~, +10 % / -15 %

Frequency: 50 Hz

Power consumption: 1 VA

Rated impulse voltage: 4 kV

Contact: wo way switch

Opening width: < 3 mm (μ)

Switching capacity: 16 A, 250 V~, $\cos \varphi = 1$
4 A, 250 V~, $\cos \varphi = 0,6$

Min. switching capacity: 24 V / 100 mA AC

Incandescent lamp load: 1100 W

Operating temperature: -20 °C ... +55 °C

Protection class: II in accordance with
EN 60669-1 subject to designated installation

Protection rating: IP 20 in accordance with
EN 60529

Time accuracy: synchronised with mains

Pollution degree: 2

Type: 1 BRTU

Compact fluorescent tubes: 25 W

Fluorescent lamps (EB): 100 W

LED lamps (<2 W): 5 W

LED lamps (>2 W < 8 W): 15 W

LED lamps (>8 W): 18 W

Designated Use

EN

- The time switch can be used for lighting, ventilation, fountains, advertising hoardings etc.
- Only for use in closed, dry rooms
- Installation on DIN top hat rail (in accordance with DIN EN 60715)
- The switching of any external wire is permitted, switching of SELV is not permitted.

1 Installation

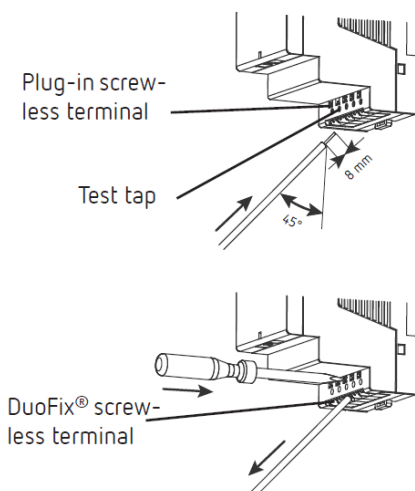
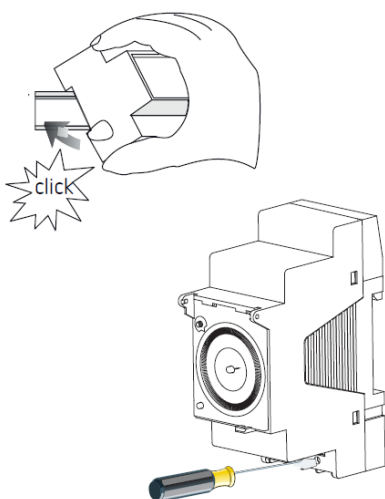
- Install on DIN top hat rails (in accordance with EN 60715)
- Disconnect power source
- Strip cable by 8 mm (max. 9 mm)
- Insert cable at 45° in the open terminal

① 2 cables per terminal is possible

- Only with flexible wires: Press screwdriver downwards to open spring terminal

Disconnecting the cable

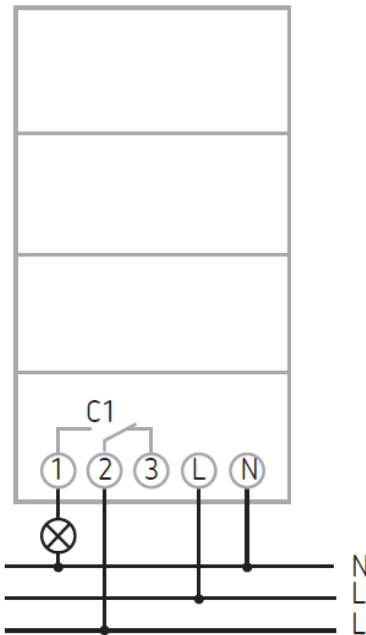
- Use the screwdriver to push the load line connection opener downwards



1

2 Connection

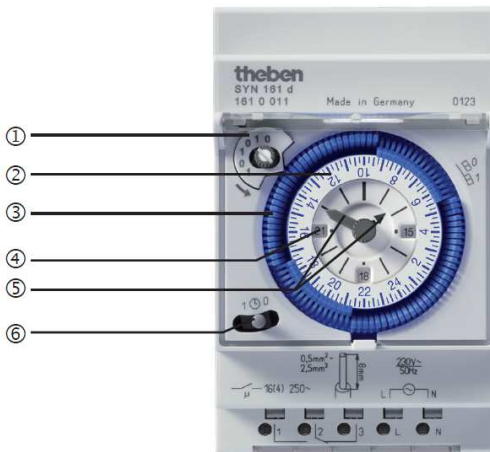
➤ Note connection diagram



2

3 Description

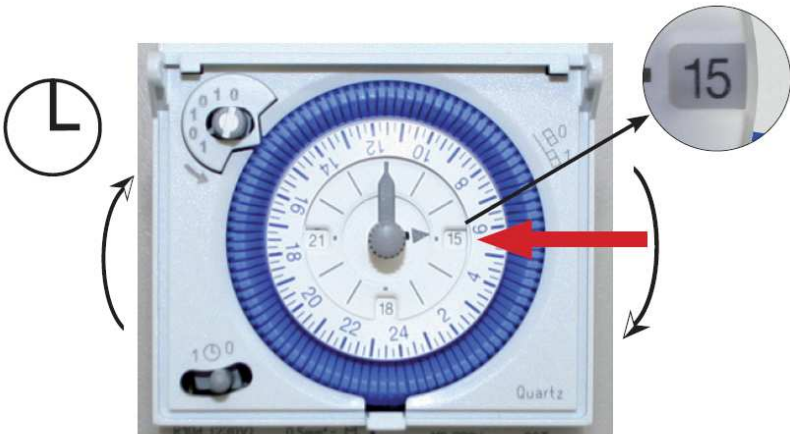
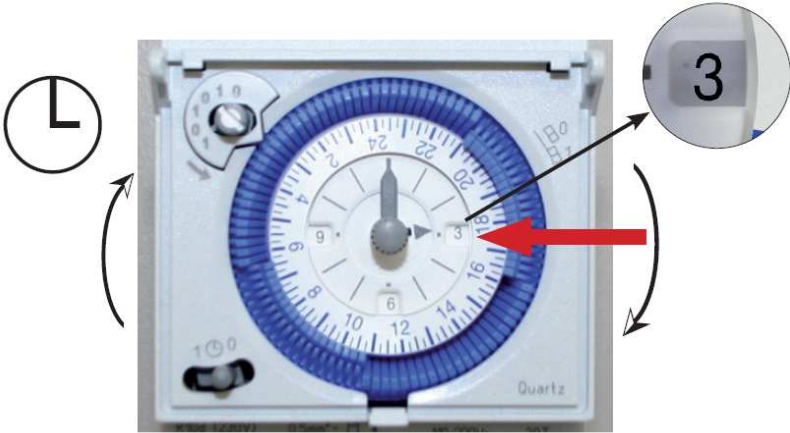
- ① Switching pre-selection/manual setting
- ② Program timing disc
- ③ Switching segments SYN 161 d (1 = 15 min)
- ④ Morning/afternoon (AM/PM) time display
- ⑤ Hand for setting time (hours and minutes) can be adjusted anticlockwise and clockwise; turn minute hand firmly to left
- ⑥ Three way switch:
Permanent ON – AUTO – Permanent OFF



3

1 Set time

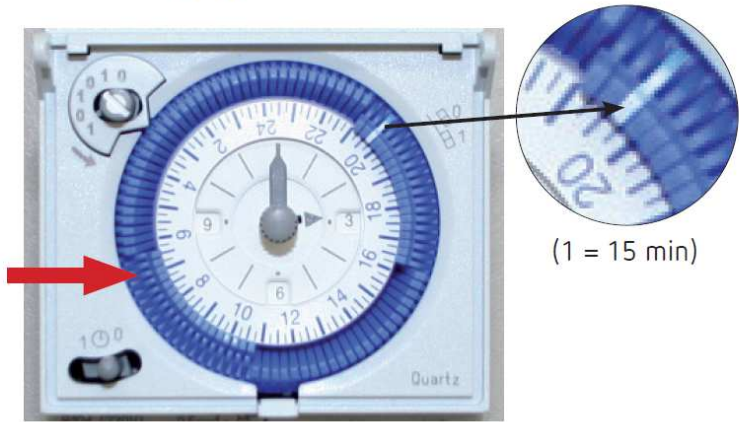
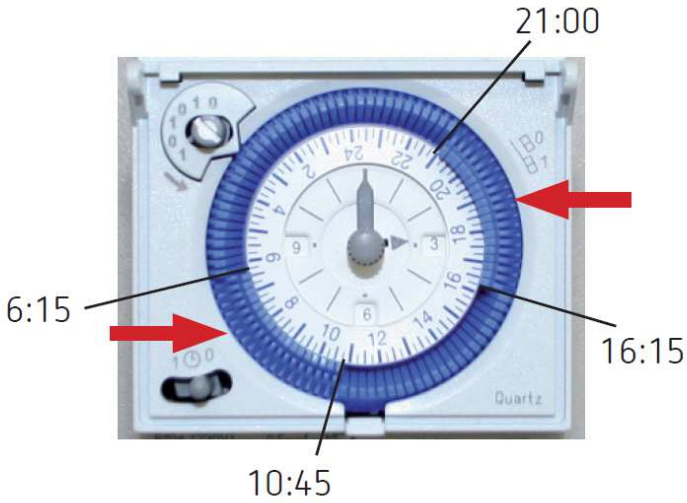
- e.g. 3:00 (morning)
- e.g. 15:00 (afternoon)

1

2 Set switching times

- e.g. 6:15 – 10:45; 16:15 – 21:00 ON

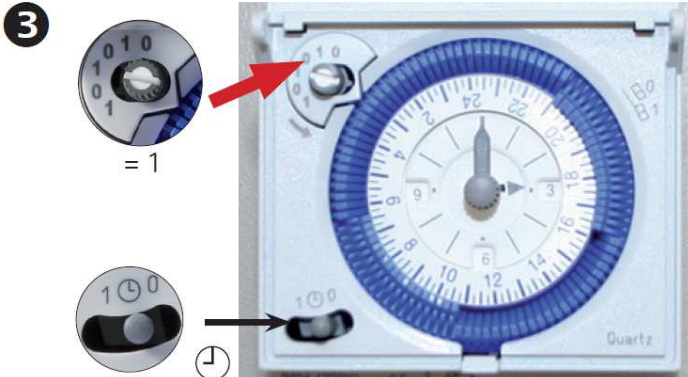
2



3 Set manual operation / switching pre-selection

• in advance 3:00 ON (= 1)

→ The time switch operates the set switching times, i.e. it returns to program.



4 Set 1 – ⊕ – 0 permanent switching

→ Program is not operated.

1 = Permanent ON

0 = Permanent OFF

